

## INSTALLATION INSTRUCTIONS FOR ELECTRONIC SENSOR-ACTIVATED LAVATORY FAUCETS



(Models shown with ISM Integral Spout Mixer)

### Sofis®

**EAF-275 Series**  
Solar Powered with Battery Backup Sensor Activated Lavatory Faucets



### Lino™

**EAF-250 Series**  
Battery Powered, Sensor Activated Lavatory Faucets

**EAF-200 Series**  
Adapter Powered, Sensor Activated Lavatory Faucets



### Lumino™

**EAF-225 Series**  
Adapter Powered, Sensor Activated Lavatory Faucets with Temperature Indicating Illumination

### FAUCET VARIATIONS

- ISM Integral Spout Mixer (All Series)
- IC *Click* Feature (All Series)
- DPU Drain Pop Up (EAF-200/225/250 Series)
- P Plug-in Transformer/Adapter (EAF-200 Series)
- LT Less Transformer/Adapter (EAF-200 Series)

### LIMITED WARRANTY

Unless otherwise noted, Sloan Valve Company warrants this product, manufactured and sold for commercial or industrial uses, to be free from defects in material and workmanship for a period of three (3) years (one (1) year for special finishes, SF faucets, PWT electronics and 30 days for PWT software) from date of first purchase. During this period, Sloan Valve Company will, at its option, repair, replace, or refund the purchase price of any product which fails to conform with this warranty under normal use and service. This shall be the sole and exclusive remedy under this warranty. Products must be returned to Sloan Valve Company, at customer's cost. No claims will be allowed for labor, transportation or other costs. This warranty extends only to persons or organizations who purchase Sloan Valve Company's products directly from Sloan Valve Company for purpose of resale. This warranty does not cover the life of the batteries.

**THERE ARE NO WARRANTIES WHICH EXTEND BEYOND THE DESCRIPTION ON THE FACE HEREOF. IN NO EVENT IS SLOAN VALVE COMPANY RESPONSIBLE FOR ANY CONSEQUENTIAL DAMAGES OF ANY MEASURE WHATSOEVER.**

### PRIOR TO INSTALLATION

Prior to installing the Sloan Optima EAF-275/EAF-250/EAF-200/EAF-225 Series Faucets, install the items listed below. Also, refer to rough-in illustrations.

- Lavatory/sink
- Drain line
- Hot and cold water supply lines or pre-tempered water supply line

**Important:**

- **ALL PLUMBING SHOULD BE INSTALLED IN ACCORDANCE WITH APPLICABLE CODES AND REGULATIONS.**

- **FLUSH ALL WATER LINES PRIOR TO MAKING CONNECTIONS.**
- **KEEP THREAD SEALANT OUT OF YOUR WATERWAY TO PREVENT COMPONENT PART DAMAGE! DO NOT USE ANY SEALANT ON COMPRESSION FITTINGS.**

#### Trim Plates

When the EAF Faucet is installed on a sink that has three (3) hole punchings, a Trim Plate should be used. **Trim Plates must be specified and ordered separately.**

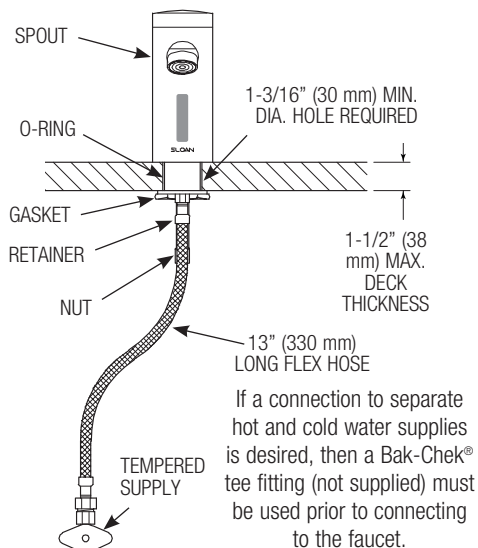
- ETF-312-A Trim Plate for 4" (102 mm) Centerset Sink
- ETF-510-A Trim Plate for 8" (203 mm) Centerset Sink

### TOOLS REQUIRED FOR INSTALLATION

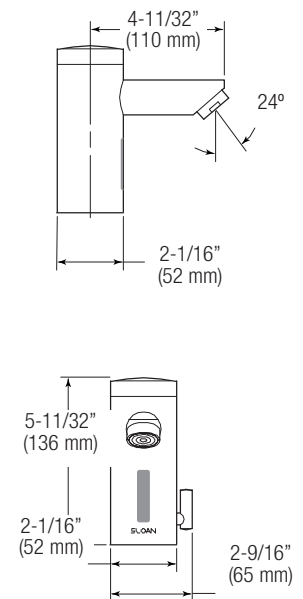
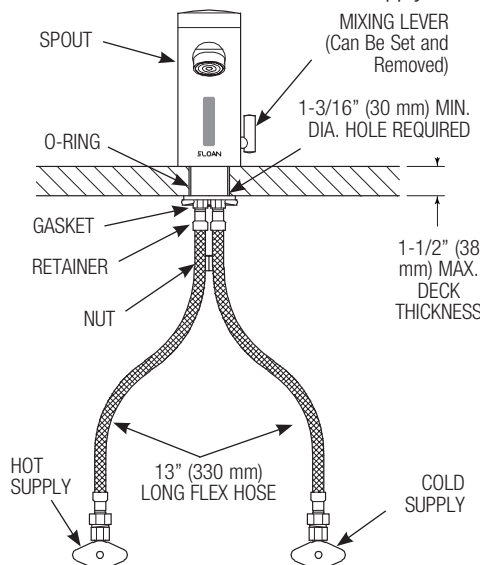
- 13 mm open end wrench or nut driver for faucet retainer nut
- 3/4" open end wrench for female end of flex hose

### FAUCET ROUGH-IN

MODELS EAF-200/250/275  
0.5 gpm (1.9 Lpm) Max. Flow  
Faucets with Single Line Water Supply



MODELS EAF-200/225\*/250/275  
0.5 gpm (1.9 Lpm) Max. Flow  
Faucets with Hot and Cold Water Supply



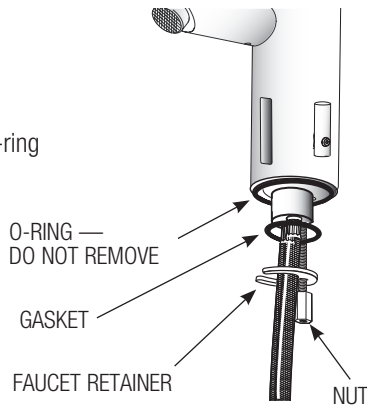
\*EAF-225 Series Faucets are furnished with a 1.5 gpm (5.6 Lpm) spray head

## 1 - INSTALL FAUCET

- A** Remove Nut, Faucet Retainer and Gasket.

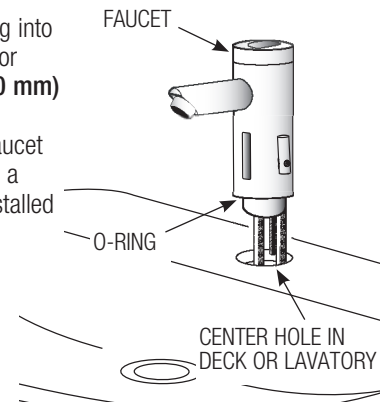
**DO NOT** remove the O-ring from base of Faucet.

**DO NOT** remove Sensor label until Step 4.

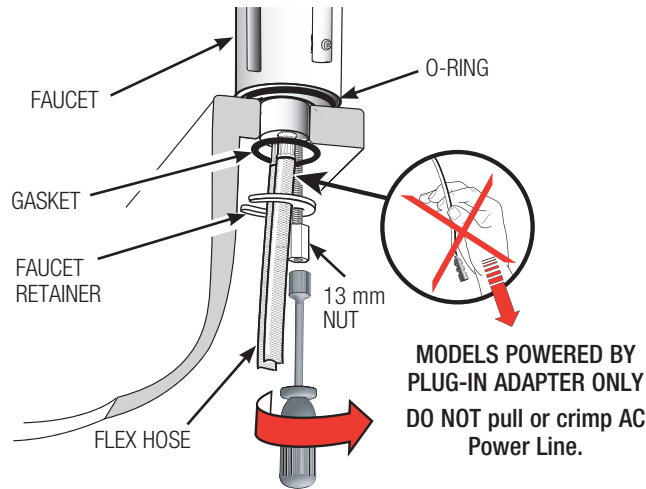


- B** Install Faucet with O-ring into the center hole in deck or lavatory — **1-3/16" (30 mm) min. hole required.**

**Note:** If installing the Faucet on a three (3) hole sink, a Trim Plate should be installed at this time.



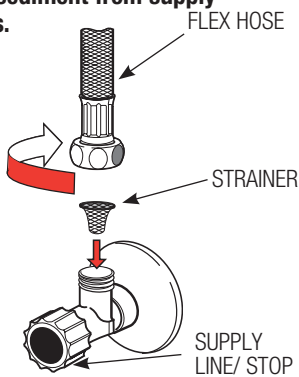
## 2 - SLIDE GASKET OVER FLEX HOSE(S) AND SECURE



## 3 - INSTALL STRAINER AND FLEX HOSE ONTO SUPPLY STOP. OPEN SUPPLY STOPS

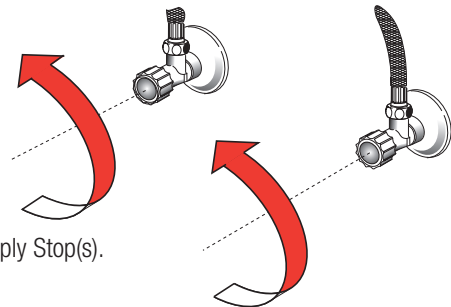
**IMPORTANT:** Flush dirt, debris, and sediment from supply line(s) before Connecting Flex Hoses.

- A** Install Strainer and Flex Hose onto Supply Stop.



- B** Tighten the Flex Hose (with Strainer in place) securely to the Supply.

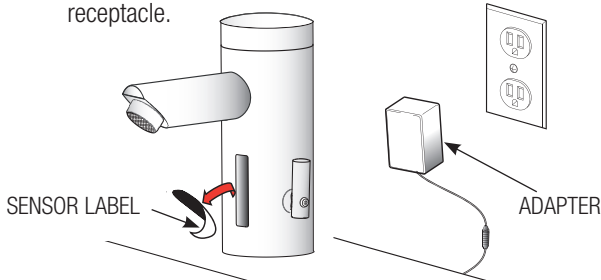
- C** Open Supply Stop(s).



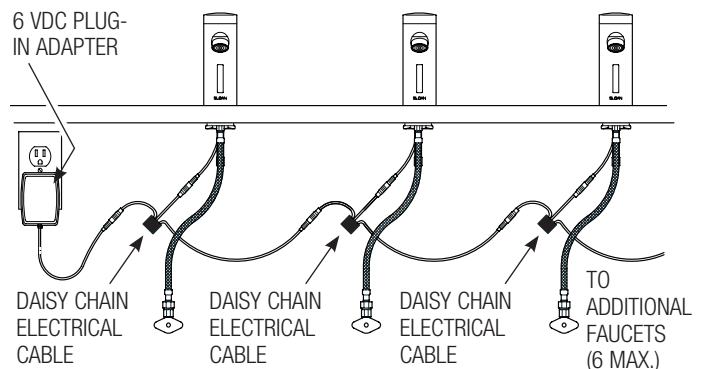
## 4 - EAF-200 MODELS: PLUG ADAPTER INTO RECEPTACLE. ALL MODELS - REMOVE LABEL FROM SENSOR.

- A** For EAF-200 Models, Plug Adapter into receptacle.

- B** Remove Label from Sensor Window.



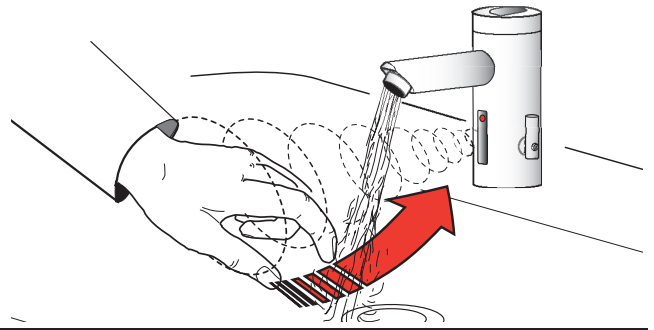
### Electrical Connection for up to Six (6) Faucets Using One (1) Adapter



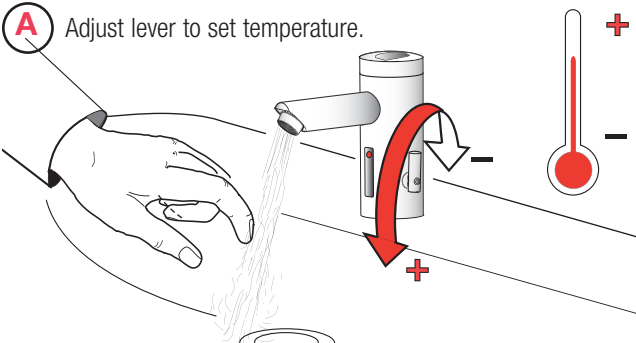
**NOTE:** EAF-225 can only connect one (1) faucet per one (1) adapter.

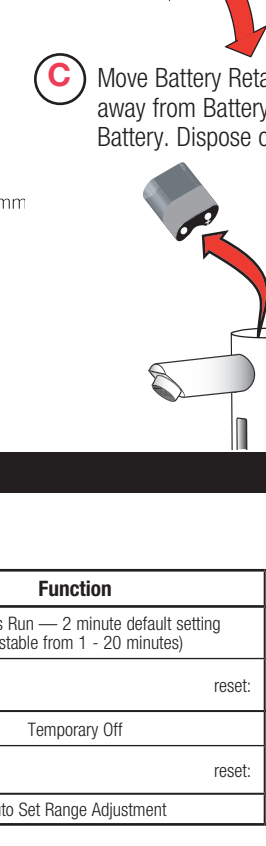
## 5 - ACTIVATE FAUCET

- A** Activate Faucet by pressing the button one (1) time, then immediately step away. Faucet will run for four (4) seconds and the range will automatically adjust to its environment. Wait ten (10) seconds after water shuts off before using Faucet.
- B** Activate Faucet and check for leaks. If Faucet does not function, refer to the Troubleshooting section of this instruction manual.



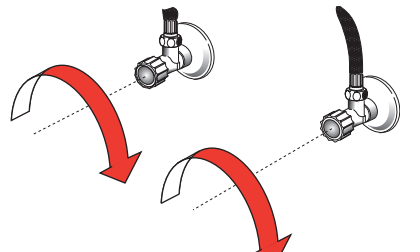
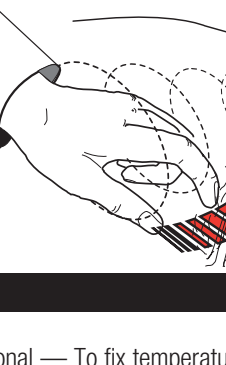
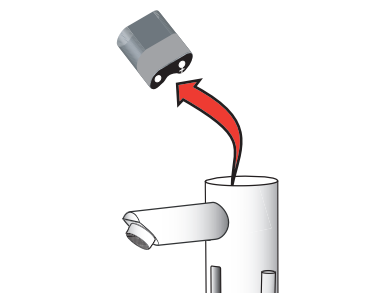
## 6 - SET AND FIX TEMPERATURE (MODEL EAF-225, SEE PAGE 4)


- A** Adjust lever to set temperature. 

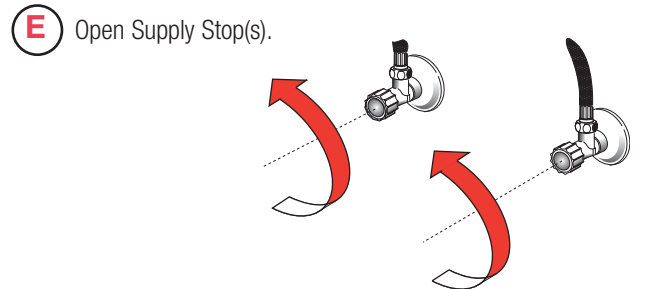
- B** Optional — To fix temperature, set lever to the desired position, then remove lever and plug hole with Cap. 

## 7 - BATTERY REPLACEMENT (EAF-250/275)

**NOTE:** Replace Battery when red LED indicator flashes each time faucet is in use or when faucet stops functioning.

- A** Close Supply Stop(s). 
- B** Loosen Screw with hex wrench and remove Cap. 
- C** Move Battery Retainer tab away from Battery. Remove old Battery. Dispose of properly. 

- D** Insert a new 6 Volt Type CR-P2 Lithium Battery. The red LED will flash for one (1) minute. Reinstall Battery Cover. If LED doesn't flash or if it just lights up, remove and then reinsert the Battery. If water flows continuously after inserting the new Battery and opening the Supply Stops, remove and then reinsert the Battery. 

- E** Open Supply Stop(s). 

## SETTINGS

### i.q.-CLICK SETTINGS

Function	Press Button	LED Signal
Continuous Run — 2 minute default setting (adjustable from 1 - 20 minutes)	1 time for 2 seconds	5 short flashes
reset:	1 time or will reset automatically after 2 minutes	
Temporary Off	2 times (double click)	5 short flashes followed by periodic flashing
reset:	1 time or will reset automatically after 2 minutes	
Auto Set Range Adjustment	2 times (double click) and then 1 time for 5 seconds	5 short flashes followed by 4 short flashes

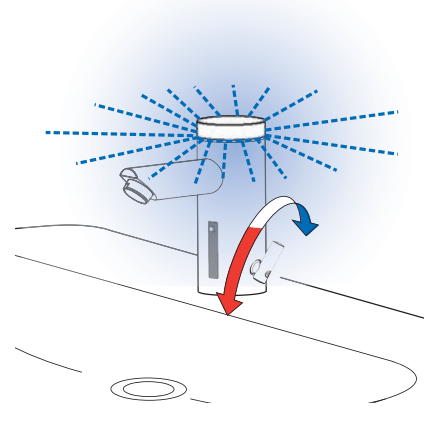
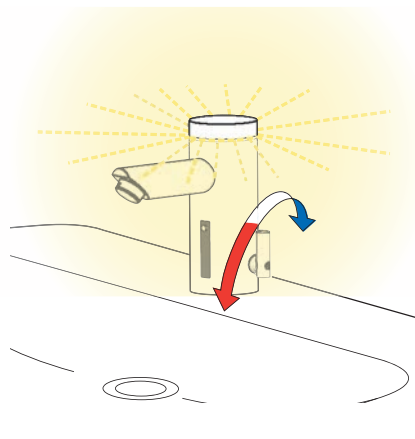
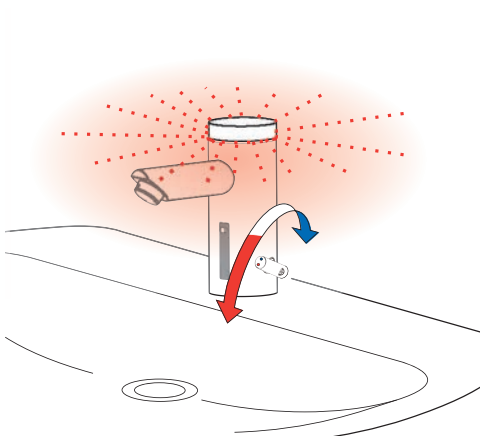
# MODEL EAF-225 ONLY

## Functions

**RED**  
HOT End Position

**WHITE**  
Tempered Position

**BLUE**  
Cold End Position

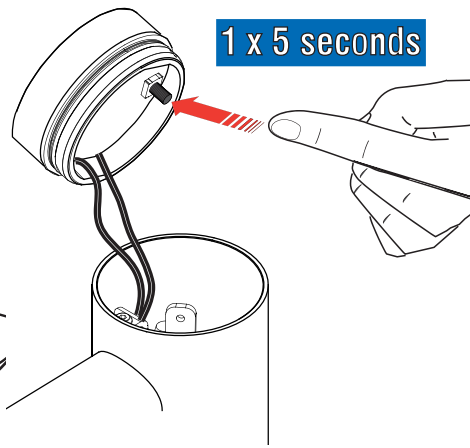


## Setting Brightness of Illumination

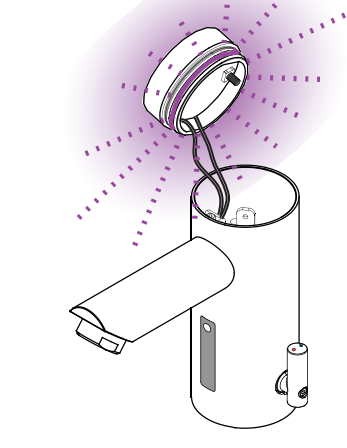
**A** Remove cover.



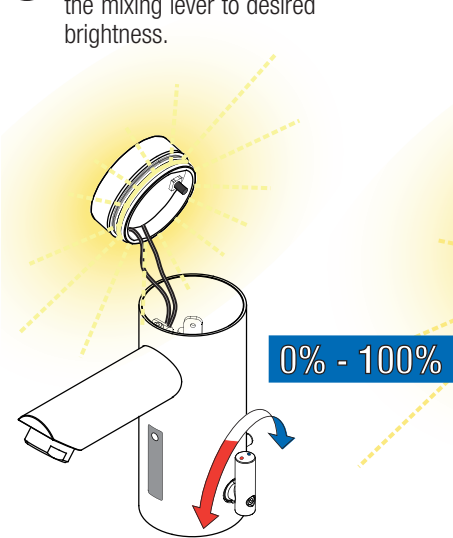
**B** Press button for approximately 5 seconds.



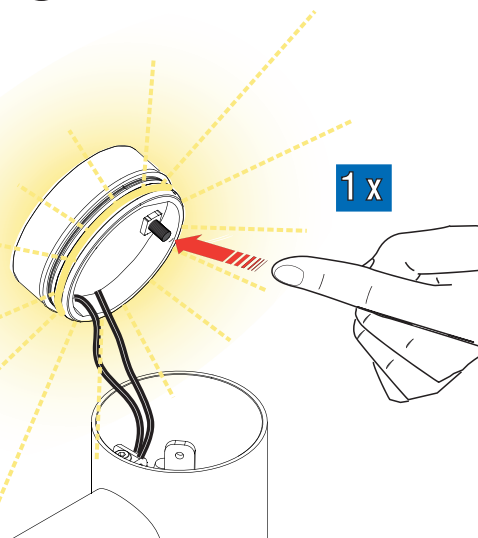
**C** When illuminant glows **PURPLE**, release.



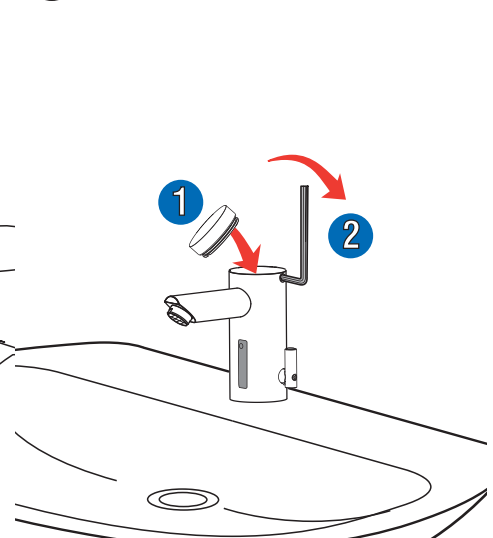
**D** Adjust the illumination by turning the mixing lever to desired brightness.



**E** Press button once.



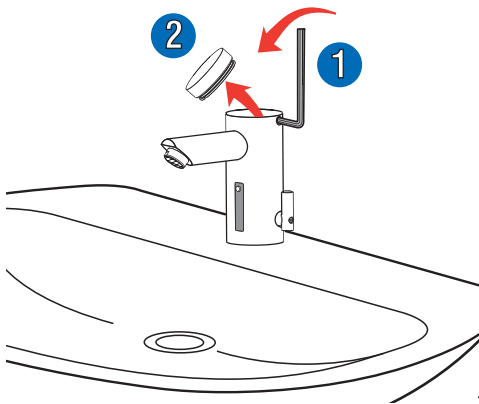
**F** Replace top cover.



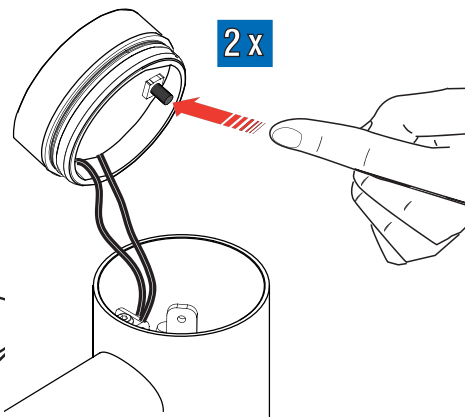
# MODEL EAF-225 ONLY

## Calibrating the illuminant colors (RED - WHITE - BLUE) to water temperature

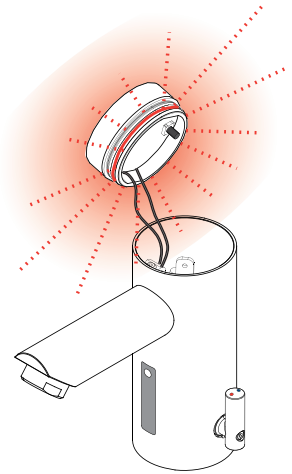
**A** Remove cover.



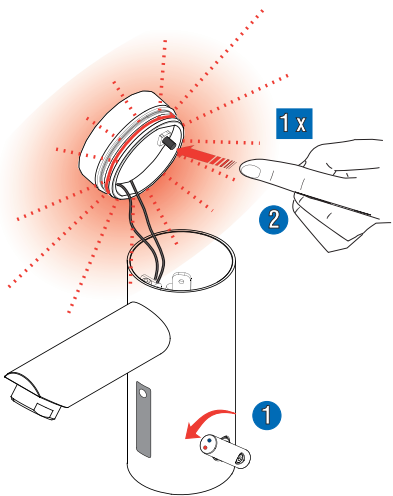
**B** Press button twice and release.



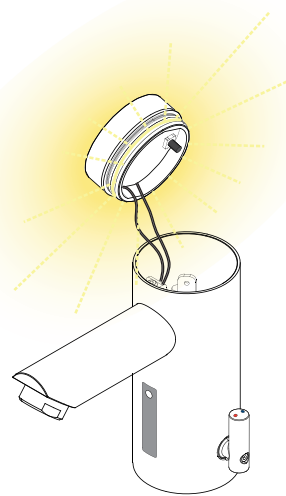
**C** Illuminant flashes red.



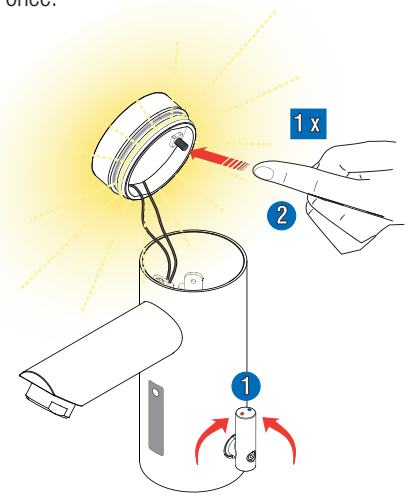
**D** Adjust mixing lever for position **RED** (hot) and press button once.



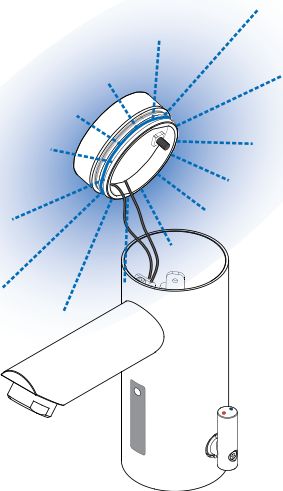
**E** Illuminant flashes **WHITE**.



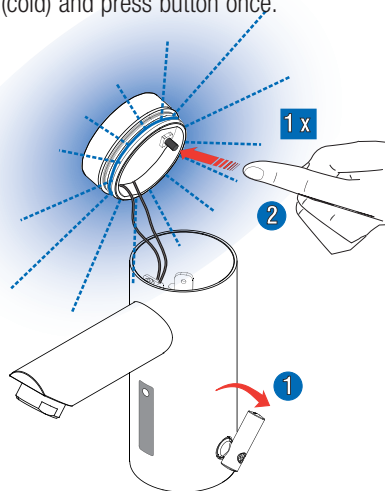
**F** Adjust mixing lever for position **WHITE** (temperate) and press button once.



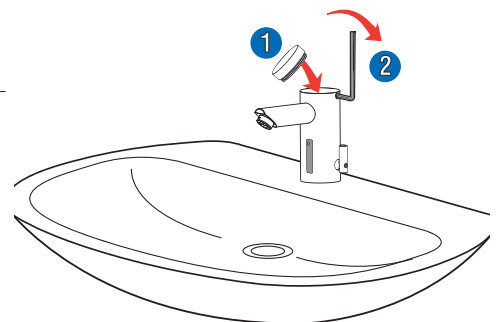
**G** Illuminant flashes **BLUE**.



**H** Adjust mixing lever for position **BLUE** (cold) and press button once.



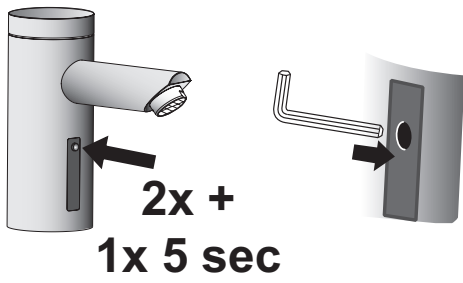
**I** Replace cover.



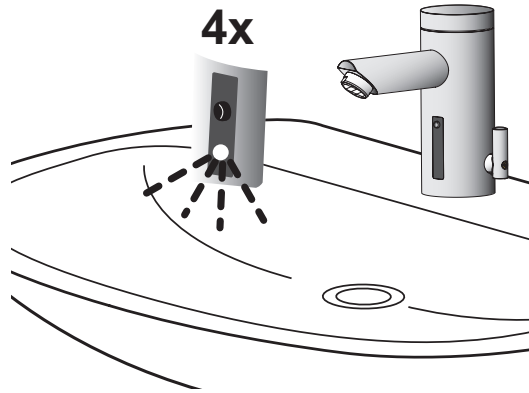
# SENSOR RANGE ADJUSTMENT

FACTORY SETTING IS APPROPRIATE FOR THE MAJORITY OF APPLICATIONS AND SHOULD NOT REQUIRE RESETTING UNLESS UNDER EXTREME SITUATIONS.

**A**

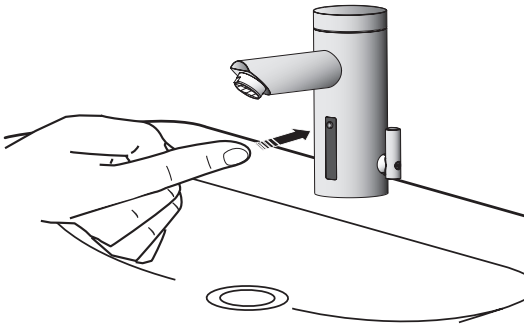


**B**

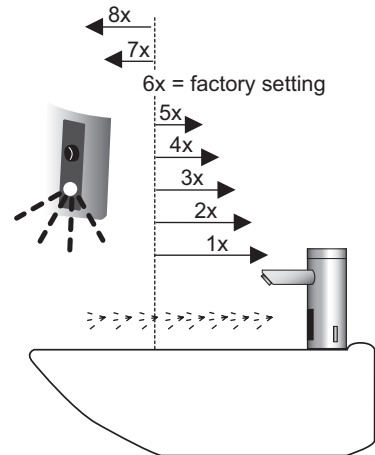


**C**

**1 x ( 1x, 2x, ..., 8x )**



**D**



DISCLAIMER: Updated electronics have visible red and green LED. Original electronics have only red LED and range setting is reversed (1=longest, 8=shortest)

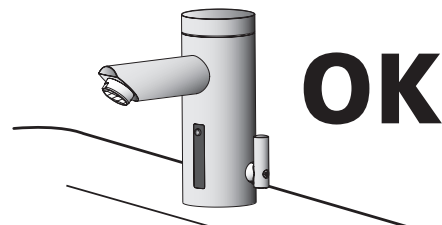
**E**



**F**



**G**

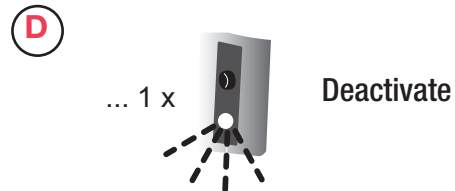
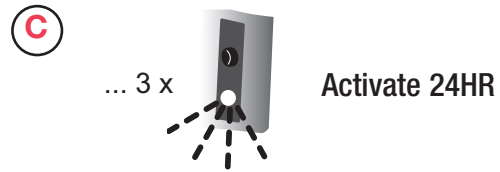
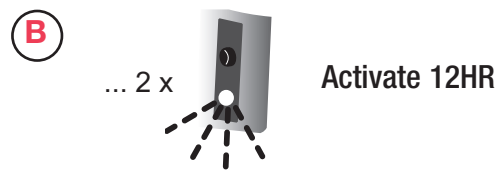
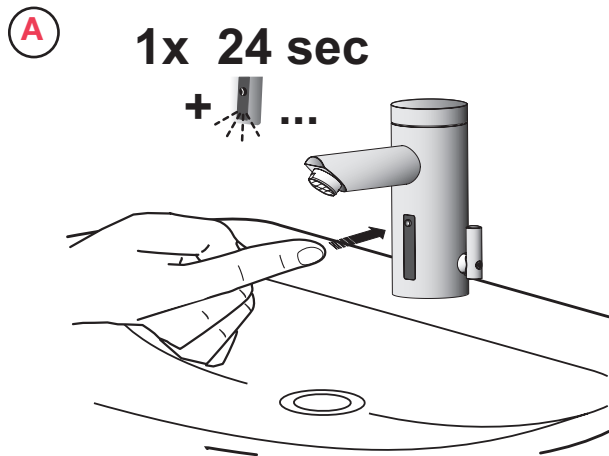


## 12/24 LINE PURGE FEATURE

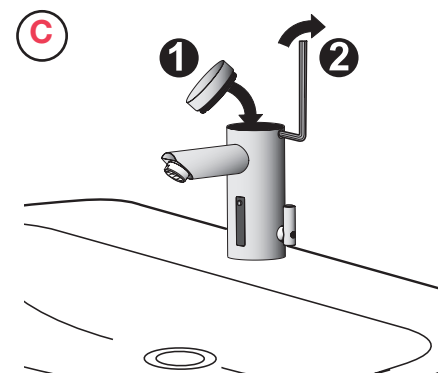
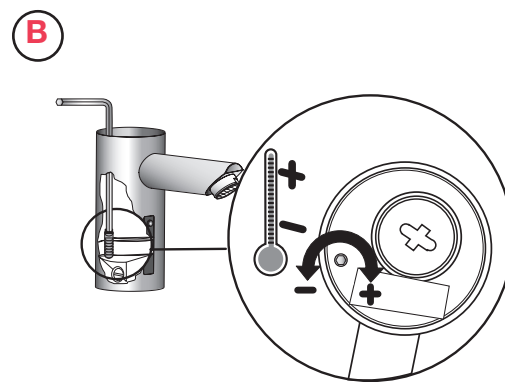
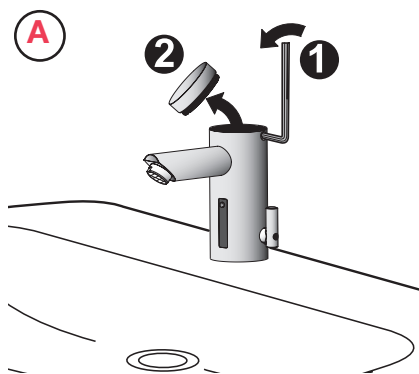
This feature will operate the faucet every 12 or 24 hours since last use, if not used to prevent stagnant water conditions.

Default purge duration is two minutes.

Consult factory regarding other timing options.

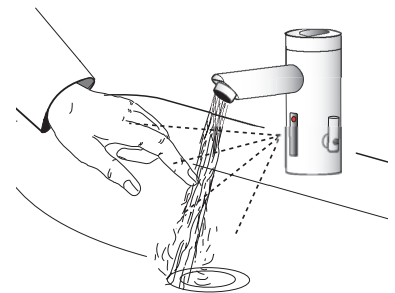


## HOT LIMIT STOP ADJUSTMENT



## OPERATION

As the user's hands enter the beam's effective range, the beam is reflected back into the sensor receiver and activates the solenoid valve allowing water to flow from the faucet. Water will flow until the hands are removed or until the faucet reaches its automatic time out limit setting.



## CARE AND CLEANING

**DO NOT USE** abrasive or chemical cleaners (including chlorine bleach) to clean Faucets that may dull the luster and attack the chrome or special decorative finishes. Use **ONLY** mild soap and water, then wipe dry with clean cloth or towel.

While cleaning the bathroom tile, protect the Faucet from any splattering of cleaner. Acids and cleaning fluids will discolor or remove chrome plating.



## TROUBLESHOOTING GUIDE

### 1. Problem: Faucet does not function.

- Cause: Adhesive packaging label affixed over sensor eye.  
 Solution: Remove adhesive label from sensor eye.  
 Cause: "Permanent Off" activated.  
 Solution: Press button on faucet throat one time.

### 2. Problem: Faucet delivers water in an uncontrolled manner.

- Cause: Faucet is defective.  
 Solution: Contact the Sloan Technical Support (see below).

### 3. Problem: Faucet does not deliver any water when Sensor is activated.

#### Indicator: Solenoid valve produces an audible "CLICK."

- Cause: Water supply stop(s) closed.  
 Solution: Open water supply stop(s).  
 Cause: Water supply stop strainer(s) clogged.  
 Solution: Remove, clean, and reinstall water supply stop strainer(s).  
 Replace strainer(s) if required.

#### Indicator: Solenoid valve DOES NOT produce an audible "CLICK."

- Cause: Battery low (battery-powered models).  
 Solution: Replace battery (refer to Battery Replacement on Page 3).  
 Cause: Power failure (EAF-200 Models).  
 Solution: Check power supply.

### 4. Problem: Faucet delivers only a slow flow or dribble when Sensor is activated.

- Cause: Water supply stop(s) are partially closed.  
 Solution: Completely open water supply stop(s).  
 Cause: Water supply stop strainer(s) clogged.  
 Solution: Remove, clean, and reinstall water supply stop strainer(s).  
 Replace strainer(s) if required.

### 4. Problem: Faucet delivers only a slow flow or dribble when Sensor is activated.

- Cause: Aerator is clogged.  
 Solution: Remove, clean, and reinstall aerator. Replace aerator if required.  
 Cause: Faucet is defective.  
 Solution: Contact the Sloan Technical Support (see below).

### 5. Problem: Faucet does not stop delivering water or continues to drip after user is no longer detected.

- Cause: Valve is defective.  
 Solution: Contact the Sloan Technical Support (see below).

### 6. Problem: LED indicator blinks when faucet is in use.

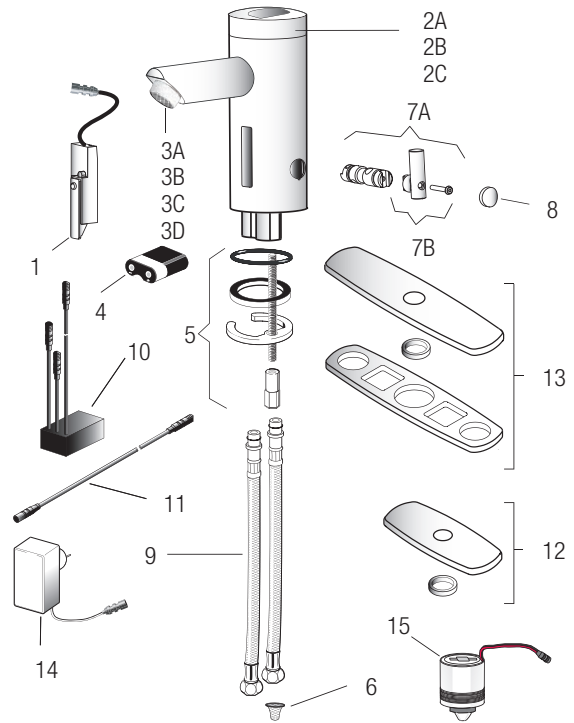
- Cause: Battery low (battery-powered models).  
 Solution: Replace battery (refer to Battery Replacement on Page 3).

### 7. Problem: The water temperature is too hot or too cold on a faucet connected to hot and cold supply lines.

- Cause: Supply Stops are not adjusted properly.  
 Solution: Adjust Supply Stops.  
 Cause: For models with integral mixing valve — Mixing valve is set improperly for the water temperature desired.  
 Solution: Rotate mixing valve handle clockwise to decrease water temperature or counterclockwise to increase water temperature.

When assistance is required, please contact Sloan Technical Support at:  
**1-888-SLOAN-14 (1-888-756-2614)**

## PARTS LIST



Item #	Part #	Description
1	EAF-14-A	Faucet Sensor Assembly (EAF-275 only)
	EAF-19-A	Faucet Sensor Assembly (EAF-200 and EAF-225 only)
	EAF-21-A	Faucet Sensor Assembly (EAF-250 only)
	EAF-16-A	Faucet Sensor Assembly with i.q.-Click (EAF-275 only)
	EAF-18-A	Faucet Sensor Assembly with i.q.-Click (EAF-200 and EAF-225 only)
	EAF-20-A	Faucet Sensor Assembly with i.q.-Click (EAF-250 only)
2A	EAF-1006	Cap with Solar Cell Assembly (EAF-275 only)
2B	EAF-27	Cap (EAF-250 and EAF-200 only)
2C	—	Cap (EAF-225)
3A	EAF-12	0.5 gpm (1.9 Lpm) VR Pressure Compensating Spray Head
3B	EAF-22	1.5 gpm (5.6 Lpm) Pressure Compensating Aerated Stream
3C	EAF-10	2.2 gpm (8.3 Lpm) Aerator Spray Head
3D	EAF-13	2.2 gpm (8.3 Lpm) Laminar Flow Spray Head
4	EAF-1003	Battery Replacement Kit
5	EAF-1	Faucet Mounting Kit
6	EAF-9	Strainer (Filter)
7A	EAF-1004	Mixer Handle Assembly and Cartridge
7B	EAF-1005	Handle Repair Kit
8	EAF-1007	Handle Cap
9	EAF-1008	13" (330 mm) Flexible Supply Hose
10	EAF-44	Power Splitter†
11	EAF-24-A	11-13/16" (300 mm) Extension Cable
	EAF-25-A	47-1/4" (1200 mm) Extension Cable
	EAF-17-A	126" (3200 mm) Extension Cable
12	ETF-312-A	Trim Plate for 4" Centerset Sink
13	ETF-510-A	Trim Plate for 8" Centerset Sink
14	EAF-11	Plug-in Adapter (Models EAF-200/225)
15	EAF-2	Solenoid

† EAF-44 replaces the separate EAF-23-A Splitter Cable and EAF-28 Capacitor, which is sold separately.

The information contained in this document is subject to change without notice.

**SLOAN • 10500 SEYMOUR AVENUE • FRANKLIN PARK, IL 60131**  
 Phone: 1-800-982-5839 or 1-847-671-4300 • Fax: 1-800-447-8329 or 1-847-671-4380 • www.sloan.com



Water Connects Us®

## SLOAN DECK MOUNTED SOAP DISPENSER (ESD-SERIES) INSTALLATION INSTRUCTIONS



ESD-500



ESD-600



ESD-700



ESD-800



ESD-1500



ESD-2000



ESD-2100

### Touchfree Counter Mounted System Installation Guide

If there is a dispenser currently installed

- Remove the existing unit, both the above and below counter assemblies
- Clean the counter area where the previous dispenser was located
- Verify the size of the existing counter hole is 15/16" to 1-1/4" in diameter

If there is no hole in the counter

- Prior to drilling, examine below the counter to ensure adequate clearance for the new unit
- Drill a 1" diameter hole in the counter top
- The hole can be drilled to either the right or left of the faucet, ensuring adequate clearance for the below counter assembly
- Clean the counter area where the new hole is located

### Prior To Installation

New Soap Dispenser Installation:

- Ensure that dispenser does not interfere with anything above or below the lavatory/counter top area
- Drill a 1" diameter hole in counter top
- Clean area around hole

### To Order Replacement Soap Cartridges

800.321.9647

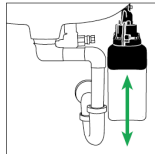
GOJO Industries

Refills are also available through your local plumbing or janitorial supply distributor.

When the soap bottle is empty, a new bottle must be used. The bottle furnished with the unit is not designed to be refilled. Altering the bottle and refilling it with soap will void the warranty of the product.



Improper installation of the Counter Mounted Dispenser could result in breakage.



Proper installation allows the unit to vertically hang beneath the sink.

Dispenser must hang freely underneath the sink.

### LIMITED WARRANTY

Unless otherwise noted, Sloan Valve Company warrants its Products to be made of first class materials, free from defects of material or workmanship under normal use and to perform the service for which they are intended in a thoroughly reliable and efficient manner when properly installed and serviced, for a period of three years (1 year for SF Faucets, special finishes and PWT electronics and 30 days on PWT software) from date of purchase. During this period, Sloan Valve Company will, at its option, repair or replace any part or parts which prove to be thus defective if returned to Sloan Valve Company, at customer's cost, and this shall be the sole remedy available under this warranty. No claims will be allowed for labor, transportation or other incidental costs. This warranty extends only to persons or organizations who purchase Sloan Valve Company's products directly from Sloan Valve Company for purpose of resale. This warranty does not cover the life of the batteries.

**THERE ARE NO WARRANTIES WHICH EXTEND BEYOND THE DESCRIPTION ON THE FACE HEREOF. IN NO EVENT IS SLOAN VALVE COMPANY RESPONSIBLE FOR ANY CONSEQUENTIAL DAMAGES OF ANY MEASURE WHATSOEVER.**

**SLOAN • 10500 SEYMOUR AVENUE • FRANKLIN PARK, IL 60131**

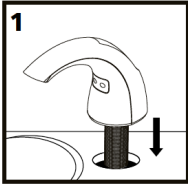
Phone: 1-800-9-VALVE-9 or 1-847-671-4300 • Fax: 1-800-447-8329 or 1-847-671-4380 • [www.sloan.com](http://www.sloan.com)

# Soap Dispenser Installation

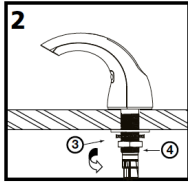
**NOTE: ESD-2100 Shown, instructions applicable for all Sloan soap dispensers**

## Installing the Touchfree Counter Mounted System

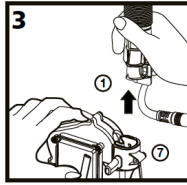
Prior to beginning installation, study the exploded view of the Touchfree Counter-Mounted System and locate all the pieces. Also, look beneath the countertop to a suitable place for mounting of the Battery Box (9) so that it will not interfere with system components or plumbing.



Feed the Data Cable 5a and the shank of the Dispenser Assembly 1 through the hole in the countertop. Point the spout of the Dispenser into the sink bowl.

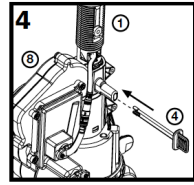


From underneath the counter, feed the Lock Washer 3 and then the Mounting Nut 3a over the Data Cable 5a and onto the threaded shank of the Dispenser Assembly 1. Tighten the nut securely.



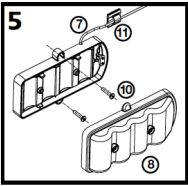
Align the indent inside the top of the Motor Assembly/Bottle Support 7 with the indent on the shank of the Dispenser Assembly 1 and firmly push the Motor Assembly/Bottle Support up, onto the shank.

**NOTE:** Hold the Data Cable firmly out of the way as you push up on the Motor Assembly/Bottle Support. Continue pushing upward until the vertical slots in the Dispenser shank and the Motor Assembly/Bottle Support line up.

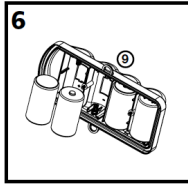


Secure the Motor Assembly/Bottle Support 7 to the Dispenser Assembly 1 shank by pushing the Retaining Clip 4 into place through the vertical slots, until it goes all the way through the Motor Assembly.

**NOTE:** Motor Assembly Bottle Support will rotate 360° to avoid any obstruction.

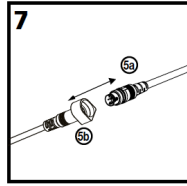


Remove the cover from the Battery Box 8 by loosening the two captive screws on the Battery Box cover. Position the Box on a convenient (vertical or horizontal) surface under the counter top that will allow access for battery changing. Attach the Box to the surface using the two screws 10 and anchors (if attaching to a plaster or masonry surface). Use the Wall Clip 11 to secure the Power Cable to a wall or other under-counter surface if desired.



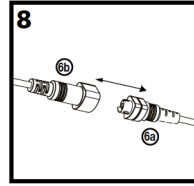
Place four alkaline "D" Cell batteries into the Battery Box 9 cover. The batteries must be positioned according to the diagrams shown on the inside of the cover.

**NOTE:** If the batteries are not properly installed or the cover is not properly positioned on the Box, the System will not work. Position the cover (with batteries installed) on the Battery Box and tighten the two captive screws.



**IMPORTANT:** Connect the two halves of the Data Cable 5a and 5b by visually lining up the white stripes on each half and gently pushing the cable connectors together until the stripes touch.

**Improperly assembled connectors can cause unit to not function as intended.**

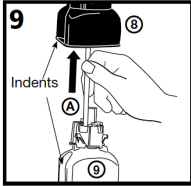


After the batteries are installed in the battery box, connect the two halves of the power cable 6a and 6b. Allow 20 seconds before the system is ready to dispense soap.

# Soap Refill Bottle Installation and Removal

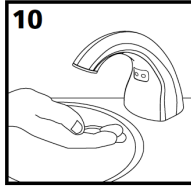
## Refill Installation

(refill 9 sold separately)

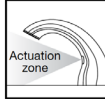


Feed the dispense tube A on the Refill Bottle 9 up through the Motor Assembly/Bottle Support 7 and Dispenser Assembly 1, aligning the two indents in the Bottle and the Support. Slide the Bottle upward until it snaps into place.

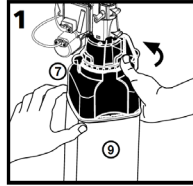
**NOTE:** The refill is not properly installed until you hear the "snap" (as the Green release latch on the Motor Assembly/Bottle Support 7 engages).



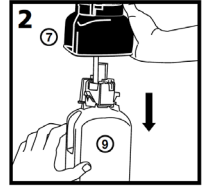
Test the System by passing your hand under the spout of the Dispenser Assembly 1 (in front of the sensor window) at least three or four times, until foam soap appears. If the System does not dispense soap after passing your hand in front of the sensor several times, repeat several more times. If no sound heard from motor assembly after placing hands in front of sensor, check to see that the Data Cable 6 halves are firmly connected, that the batteries are "good", and that the Battery Box 8 cover is properly positioned and fastened to the Box. Check for bent contact pins inside connector 6b. If unit is multi-activating, check for bent contact pins inside connector 6b.



## Refill Removal



Grasp the empty Refill Bottle 9 with one hand and use the other hand to push the Green release latch on the Motor Assembly/Bottle Support 7 to the right (counterclockwise as seen from above).



Grasp the empty Refill Bottle 9 with one hand and use the other hand to push the Green release latch on the Motor Assembly/Bottle Support 7 to the right (counterclockwise as seen from above).

### Cleaning the Counter Mounted System

Use only mild soap and water to clean the Touchfree Counter Mounted System spout. Cover the sensor window with your thumb while cleaning the spout so that you do not continue to dispense soap.

**DO NOT** use abrasives to clean the TouchFree Counter-Mounted System (as this may damage the finish or the sensor window).

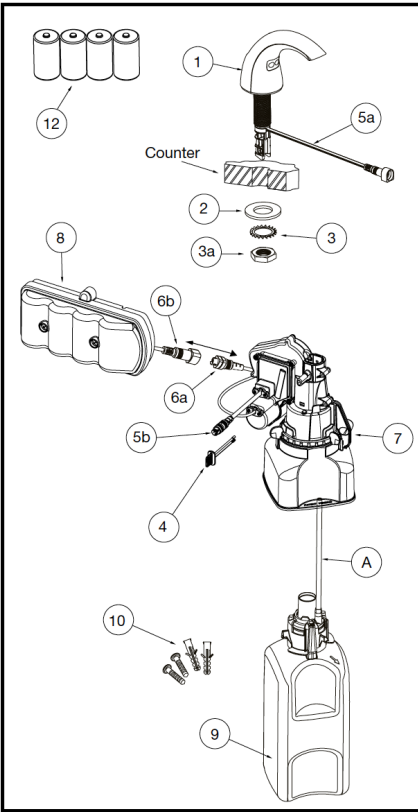
## Soap Replacement

To order replacement soap cartridges:  
CONTACT **GOJO** Industries at 800.321.9647  
Available refills

ESD-321 8565-02-N6300GN: 1500 ml Green Certified Foam Refill (2 Pack)  
ESD-322 8545-04-N6300GN: 2300 ml Green Certified Foam Refill (4 Pack)

**ATTENTION:** do not handle by tube. For proper operation, ensure that tubing is not loose or bent.

# Parts Breakdown



ITEM	DESCRIPTION	QTY.
1	DISPENSER ASSEMBLY	1
2	FLAT WASHER	1
3	LOCK WASHER	
3a	HEX NUT	1
4	RETAINING CLIP	1
5	DATA CABLE (2 HALVES WITH CONNECTOR - a and b)	1
6	POWER CABLE (2 HALVES WITH CONNECTOR - a and b)	1
7	MOTOR ASSEMBLY/BOTTLE SUPPORT	1
8	BATTERY BOX (USES 4 "D" CELL BATTERIES PROVIDED)	1
9	REFILL BOTTLE (SOLD SEPARATELY)	1
10	SCREWS & ANCHORS FOR BATTERY BOX MOUNTING	2 EA.
11	WALL CLIP FOR POWER CABLE	1
12	"D" CELL BATTERIES (PROVIDED)	4

**SLOAN • 10500 SEYMOUR AVENUE • FRANKLIN PARK, IL 60131**

Phone: 1-800-9-VALVE-9 or 1-847-671-4300 • Fax: 1-800-447-8329 or 1-847-671-4380 • [www.sloan.com](http://www.sloan.com)